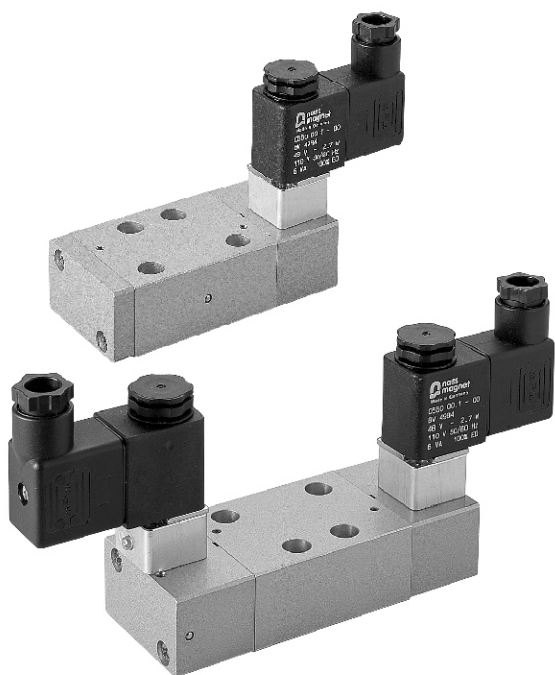


MVSI-450 series

ISO-1 SOLENOID VALVE



Specification:

Model	MVSI-450-4E1	MVSI-450-4E2
No. of port	5	
No. of position	2	
Medium	Air	
Operating pressure range	2~7 kgf/cm ²	
Proof pressure	10.5 kgf/cm ²	
Effective orifice	27 mm ²	
Response time	40 ms	
Ambient temperature	-5~+50°C (No freezing)	
Voltage	AC110V, 220V (50/60)Hz, DC24V	
Power consumption	AC=6/4.9VA, DC=2.5W	
Available voltage range	±10%	
Insulation class	F class	
Weight	380 g	540 g

Order example of valve:

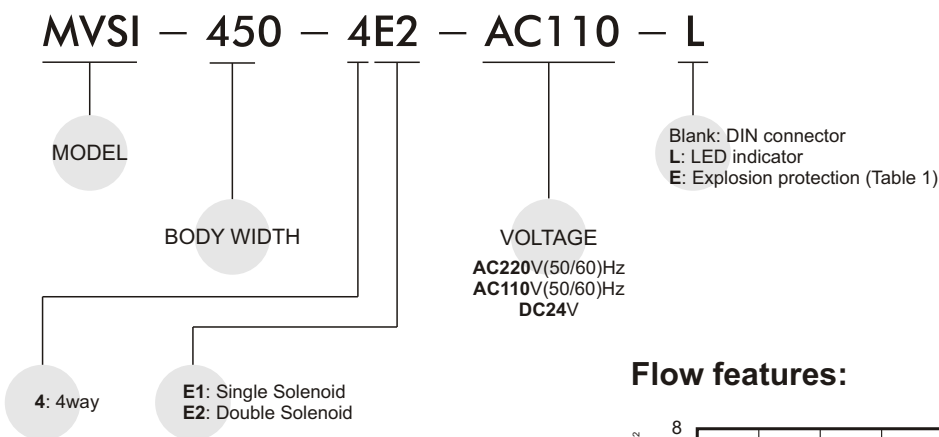
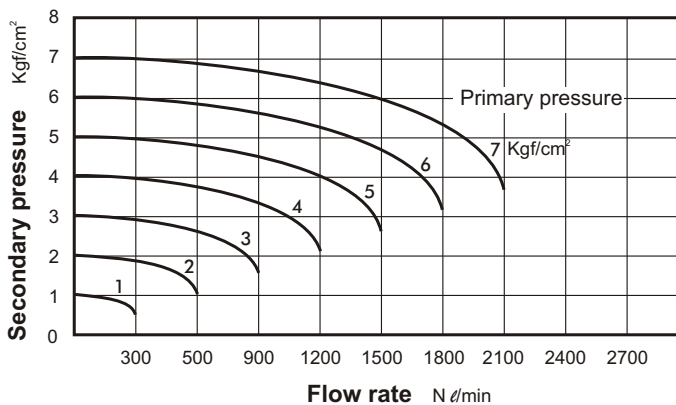


Table 1

Property for explosion-proof type

Anti-explosion class	EEx m II T4
Voltage	AC110V, 220V, (50/60)Hz, DC24V.
Power consumption	AC=4.4VA DC=5W
Available voltage range	±10%
Insulation class	F class

Flow features:



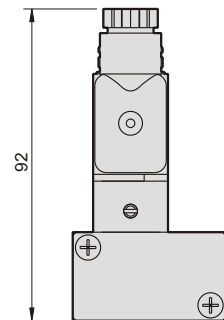
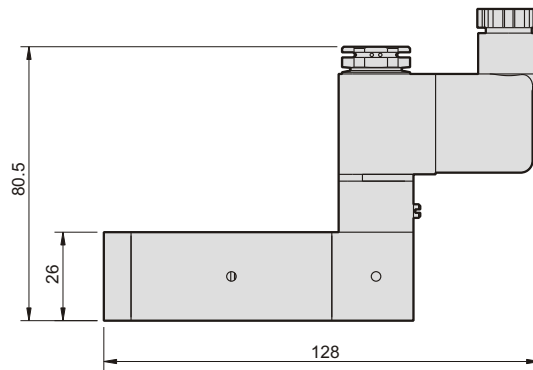
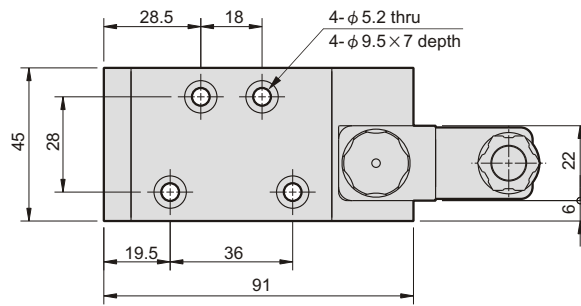
MVSI-450

ISO-1 SOLENOID VALVE

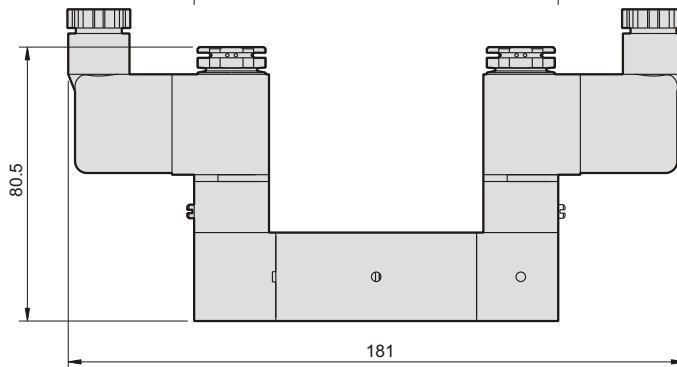
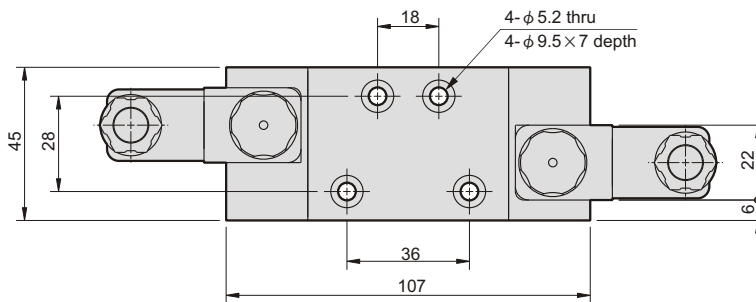


Dimensions:

MVSI-450-4E1



MVSI-450-4E2



Accessories

